

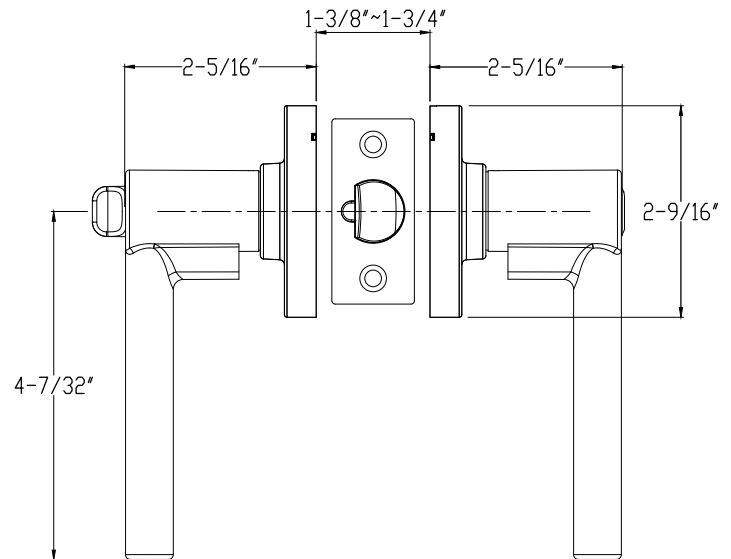


RD LEVER GRADE 3

Specifications

Door Prep	Cross bore: 2-1/8" Edge bore: 1" Latch face: 1" x 2-1/4"	Latches <i>(6-Way Available)</i>	Entrance: 2-3/8" & 2-3/4" 6-way adjustable (9073) Passage/Privacy: 2-3/8" & 2-3/4" 6-way adjustable (9074) Faceplate: 1" x 2-1/4" round corner Bolt: 1/2" throw
Backset	Fits 2-3/8" and 2-3/4"	Strikes	1-3/4" x 2-1/4" full lip round corner (9103)
Door Thickness	1-3/8" ~ 1-3/4" door standard	Wood Screws	Combination screws that suit both wood or metal door mounting
Cylinder	KW1 5-pin standard SC1 5-Pin optional. Entries packed KA5	Door Handing	Not Required

Door Handing:
Non-Handed



BOX PACKAGING

Model	Function	WT/LB	CTN QTY		US15 Satin Nickel	US26 Polished Chrome	US19 Black	US12P Tuscany Bronze
500T-RD	Entrance	26 Lbs	10 Pcs	Item No.	D50501	D50506	D50509	D50507
				List Price				
501T-RD	Passage	23 Lbs	10 Pcs	Item No.	D50511	D50516	D50519	D50517
				List Price				
502T-RD	Privacy	24 Lbs	10 Pcs	Item No.	D50521	D50526	D50529	D50527
				List Price				
515-RD	Dummy	24 Lbs	20 Pcs	Item No.	D50551	D50556	D50559	D50557
				List Price				