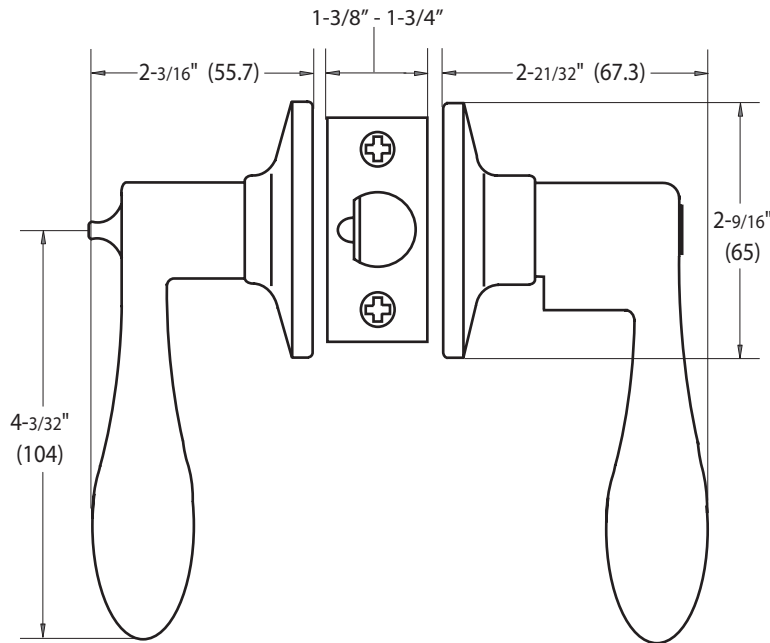


LOGAN GRADE 3



DIMENSIONS



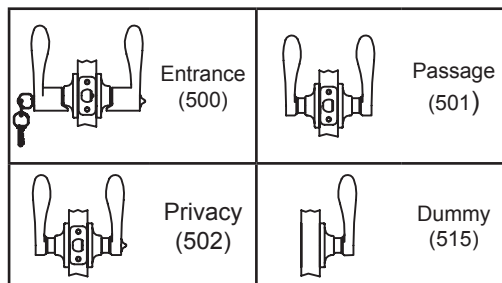
STANDARD SPECIFICATIONS

Door Prep	Cross bore: 2-1/8" Edge bore: 1" Latch face: 1" x 2-1/4"
Backset	Fits 2-3/8" and 2-3/4", UL Available
Door Thickness	1-3/8" ~ 1-3/4" door standard
Cylinder	KW1 5-pin standard (Solid Brass) SC1 5-Pin optional. Entries packed KA5
Latches <i>(6-Way Available)</i>	Entrance: 2-3/8" & 2-3/4" adj. (9045R) Passage/Privacy: 2-3/8" & 2-3/4" adj. (9074) Faceplate: 1" x 2-1/4" round corner Bolt: 1/2" throw
Strikes	1-3/4" x 2-1/4" full lip round corner (9103)
Wood Screws	Combination screws that suit both wood or metal door mounting
Door Handing	Reversible. Handing required for Dummy function only



Model	Function	WT/CTN	CTN QTY		US15 Satin Nickel	US3 Polished Brass	US26 Polished Chrome	US10B Oil Rubbed Bronze	US12P Tuscany Bronze
500T - LO	Entrance	26 Lbs	20 Pcs	Item No.	D20820	D20823	D20826	D20829	D20827
501T - LO	Passage	23 Lbs	20 Pcs	Item No.	D24820	D24823	D24826	D24829	D24827
502T - LO	Privacy	24 Lbs	20 Pcs	Item No.	D22820	D22823	D22826	D22829	D22827
502T - LO	Push Button Privacy (Panic Proof)	24 Lbs	20 Pcs	Item No.	D22820P	—	—	—	D22827P
515 - LO	Dummy	15 Lbs	20 Pcs	Item No.	D25820	D25823	D25826	D25829	D25827

FUNCTIONS



HANDING GUIDE

