

**W8181701-4, W8181702-4 - Open Channel Faucet**

**Description**

- Single hole, single handle open channel faucet
- Ceramic disc cartridge
- Lever handle
- 1.2 GPM
- Push style pop-up

**Standards**

- ASME A112.18.1 Compliant
- Listed IAPMO / cUPC
- ADA Accessibility Guidelines for Buildings and Facilities - 4.27.4 Controls and Mechanisms (lever handle only)
- NSF - 61-9 tested and approved
- CSA B125.1 Compliant and listed
- California AB 1953 Compliant

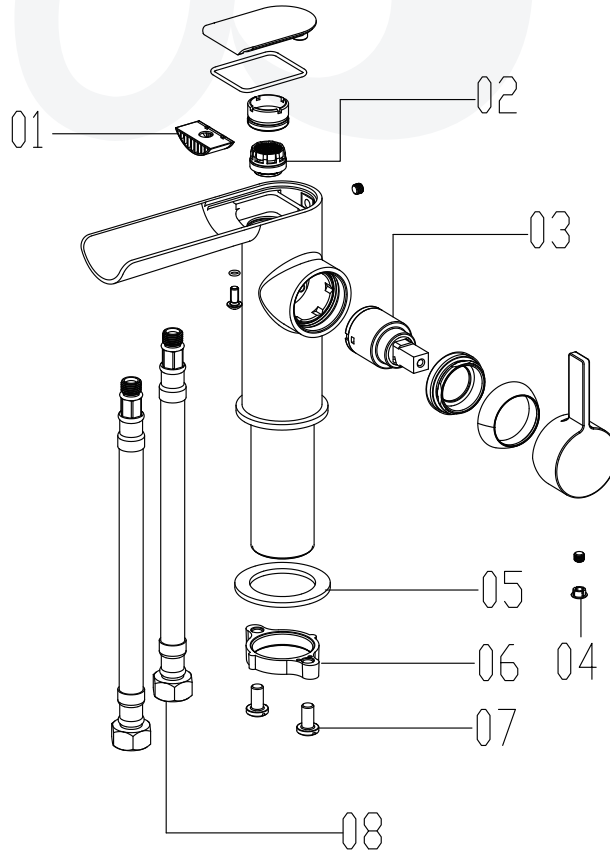


**Colors / Finishes**

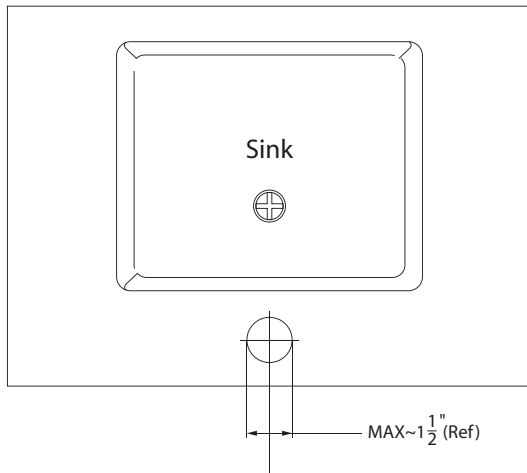
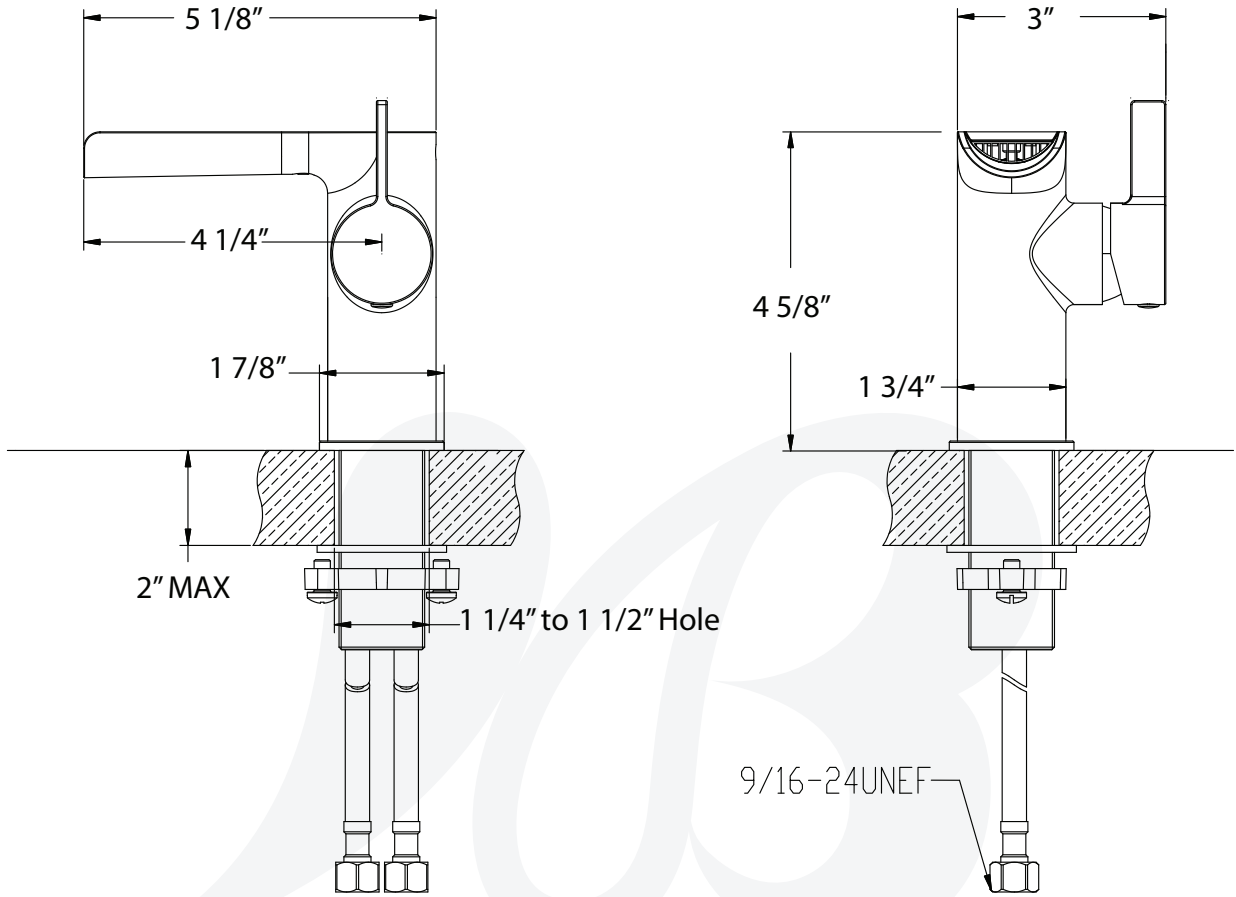
- W8181701-4 - Chrome
- W8181702-4 - PVD Satin Nickel

**BREAK DOWN  
Component Parts List**

NO.	Description	Part No.	Qty
01	AERATOR	ATBX0092	1
02	AERATOR	ATBX0095	1
03	CARTRIDGE	ATBA0163	1
04	CAP	CTCP0072	1
05	WASHER	CTWT0053	1
06	NUT	CTNB0364	1
07	SCREW	CTST3011	2
08-1	HOSE(9/16-24UNEF)	ATBP1018	2
08-2	HOSE(G1/2)	ATBP1026	2
08-3	HOSE(G3/8)	ATBP1036	2



# SPECIFICATION



Item Number	Type	Date
W8181701-4, W8181702-4	Open Channel Faucet	08/31/2017